

## TRANSPORT TROLLEY CARRY 160



As a standard is the trolley with two front bars ( mounted to the lifted hatch), optional is available with one bar or without bars.

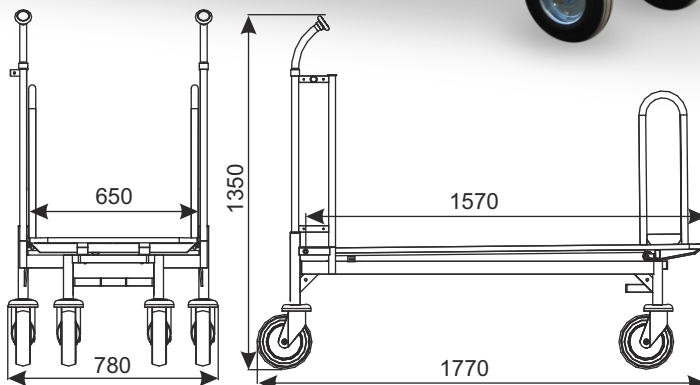
TYPE	Carry 160
LOADING	500 kg
WHEEL DIAMETER	200 mm
NESTING DISTANCE	445 mm

### Standard finish:

zinc plated, sides are additionally powder coated, what enriches the aesthetics of the trolley and composes with color scheme of the shop.

### ADDITIONAL EQUIPMENT:

In the standard version shopping trolley has standard wheels. Optional accessories (inter alia wheels with brake, coin lock, logo and other accessories) require separate arrangements.



Retainer



Bar



Trolley with mast



### PRODUCT NAME

Transport trolley Carry 160

### FINISH

zinc plated/powder coated

### INDEX

919-343-791

## W3 TRANSPORT TROLLEYS