

## TRANSPORT TROLLEY CARRY 100



full platform

Trolley with full platforms is available in the option with one or two front bar ( mounted to the lifted hatch) or without bars. Wire platform without bars.

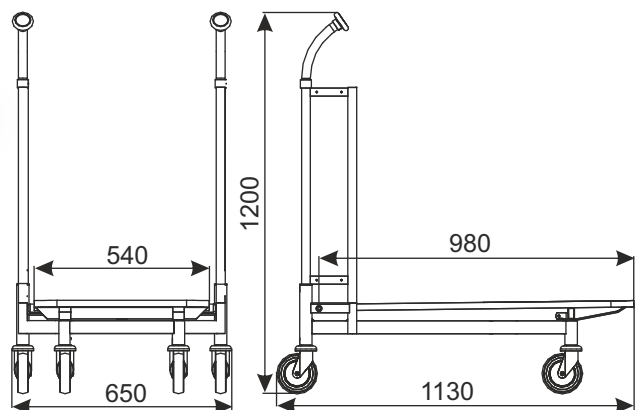
TYPE	Carry 100
LOADING	300 kg
WHEEL DIAMETER	125 mm
NESTING DISTANCE	275 mm

### Trolley is available in the option:

- with the wire platform,
- with full platform ( platform of plywood, anti-slip, waterproof, double-sided foiled).

### Standard finish:

zinc plated, sides are additionally powder coated, what enriches the aesthetics of the trolley and composes with color scheme of the shop.



wire platform

### ADDITIONAL EQUIPMENT:

In the standard version shopping trolley has standard wheels. Optional accessories (inter alia wheels with brake, coin lock, logo and other accessories) require separate arrangements.



Bar



Mast

PRODUCT NAME	FINISH	INDEX
Transport trolley Carry 100	zinc plated/powder coated	919-343-024

## W3 TRANSPORT TROLLEYS