

TROLLEY FOR TWO BASKETS VARIO WKR XL

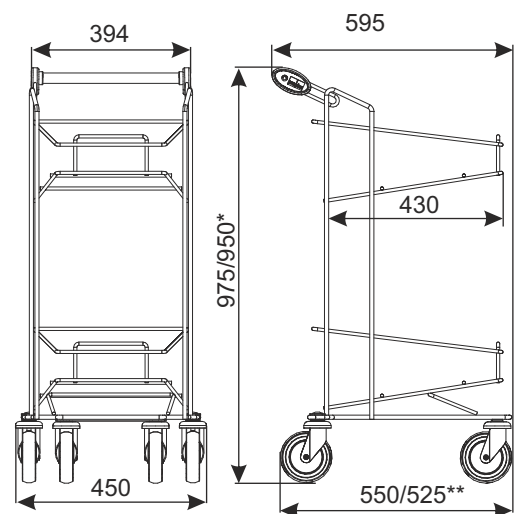


TYPE	Trolley for two baskets Vario WKR XL
LOADING	60 kg
WHEEL DIAMETER	75 mm lub 100 mm
NESTING DISTANCE	150 mm

Trolley is purposed for 20 l and 25 l baskets.
(Trolley is sold without baskets.)

* 975mm - dimension for trolley with the wheels Ø100 mm,
950 mm - dimension for trolley with the wheels Ø75 mm

** 550mm - dimension for trolley with the wheels Ø100 mm,
525 mm - dimension for trolley with the wheels Ø75 mm.



PRODUCT NAME	FINISH	INDEX
Trolley for two baskets Vario WKR XL	zinc plated + lacquer	919-351-115

W2 SPECIAL TROLLEYS, ACCESSORIES